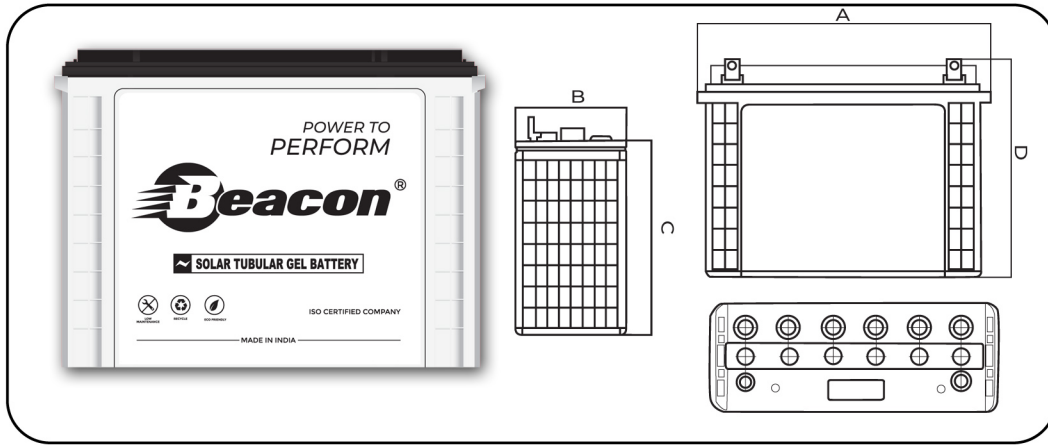


BEACON SOLAR SERIES

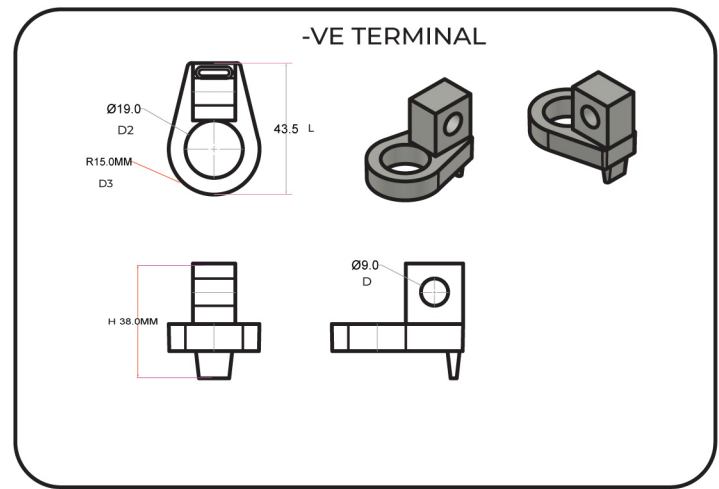
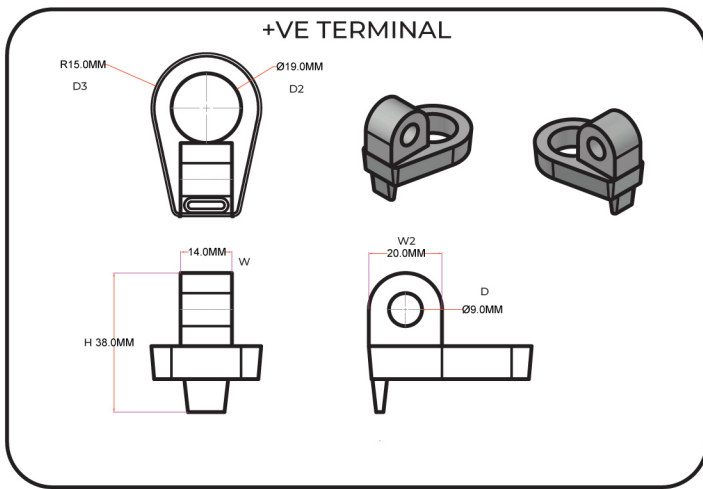
PRODUCT DATA SHEET

ProGel 220Ah



Terminal Reference

| | |
|----|---------|
| D3 | 15 mm |
| D2 | 19 mm |
| D | 9 mm |
| H | 38 mm |
| L | 43.5 mm |
| W | 14 mm |
| W2 | 20 mm |



MECHANICAL SPECIFICATIONS

| | |
|--------------------|-----------------|
| Industry Reference | 12v Tubular Gel |
| Length[A] | 505 mm |
| Width[B] | 190 mm |
| Height[C] | 370 mm |
| Total Height[D] | 430 mm |
| Weight(Pkd) | 73.0 kg |
| Terminal | 2 |
| Cells | 6 cells |
| Electrolyte | Silica Gel |

ELECTRICAL SPECIFICATIONS

| | | |
|--------------------------------|----------|----------------|
| Reference LVD (110@20°C/68° F) | @50% DOD | 11.6 |
| Cycle Life | @50% DOD | 2500 |
| Self Discharge(@20°C/68°F) | | 4-5% per month |
| Maximum Operating Temperature | | 50° celcius |

CHARACTERISTICS

| | |
|--------------------------------|---|
| Charging Current | 25.0 A (15% of Ah) |
| Float Voltage | 13.8 - 13.98 V |
| Boost Voltage | 14.1 - 14.4 V |
| Low Voltage Cut-Off | 10.5V |
| Low Reconnect Voltage(charger) | 13.5 ± 0.1 Volt |
| Temperature Connection Factor | Float: -19m V/°C, Boost: -30mV/°C |
| Recharge Factor | 110% of Discharge Ah |
| Storage Period | Max 3 months |
| Operating Temperature | 27 degree celcius |
| Compliance Standard | Generally conforms to IS 16270 Specification(latest amendments) |

CERTIFICATIONS



CONTACT

Beacon Power Systems,
Piraroor P.O, Kalady,
Kerala 683 574, India,
Toll Free: 1800 121 3511